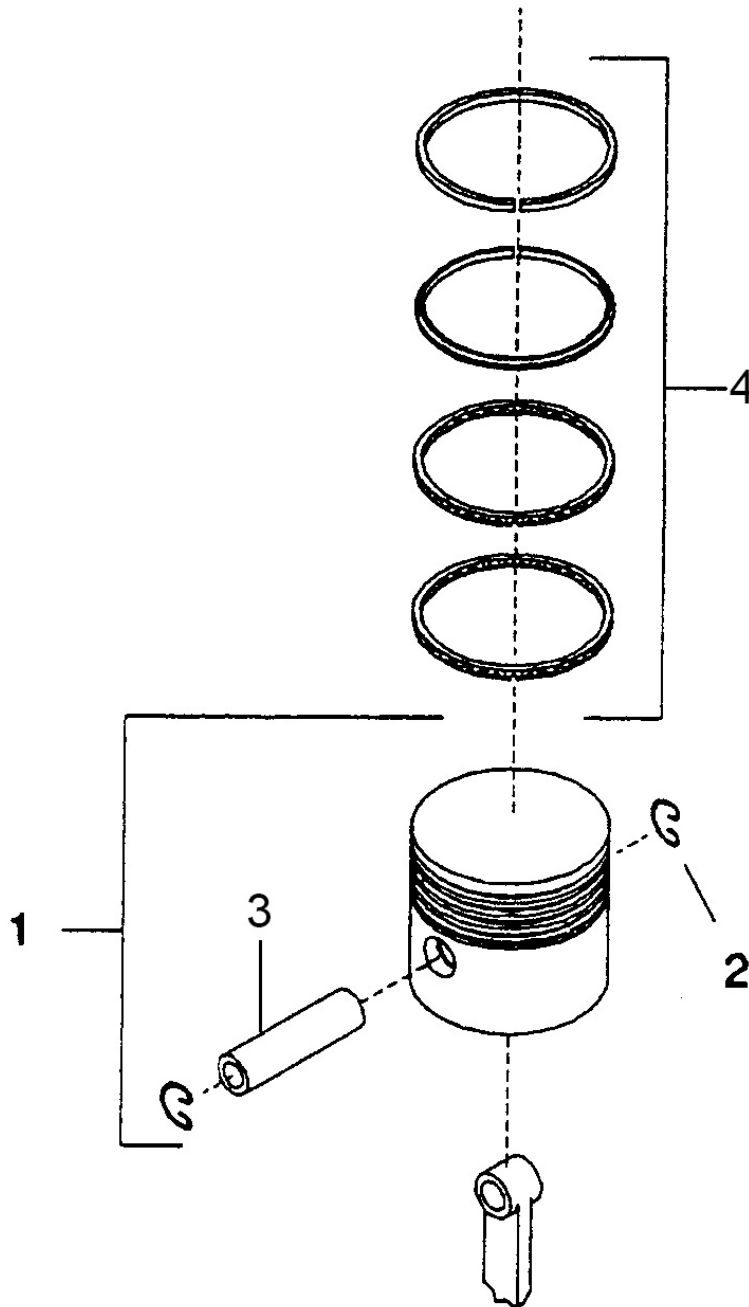


5. PISTON & RING ASSEMBLY 5.5 INCH - MODEL 15T2



All manufacturer's names, numbers, photos, product description and/or part numbers are used for reference purposes only & it is not implied that any part listed is the product of these manufacturers. Since Approvement are made from time to time, the illustration and specifications are subject to change without notice.

5. PISTON & RING ASSEMBLY 5.5 INCH - MODEL 15T2



No.	Description	Ref Part No.	QTY
6-1	Piston Pin Assembly 5.5"	30215222	1
6-2	– Ring Lock	30288450	2
6-3	– Pin Piston	30288427	1
6-4	Set Piston Ring 5.5" LP	32194144	1

All manufacturer's names, numbers, photos, product description and/or part numbers are used for reference purposes only & it is not implied that any part listed is the product of these manufacturers. Since improvement are made from time to time, the illustration and specifications are subject to change without notice.